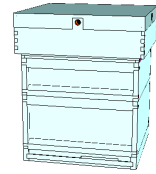


# Caddon Hives

Caddon Lynns, Caddon Foot Rd, Clovenfords, Galashiels, Scotland, TD1 3LY  
 Tel: 01896 850 755 / 249 Email: [caddon\\_hives@yahoo.co.uk](mailto:caddon_hives@yahoo.co.uk)

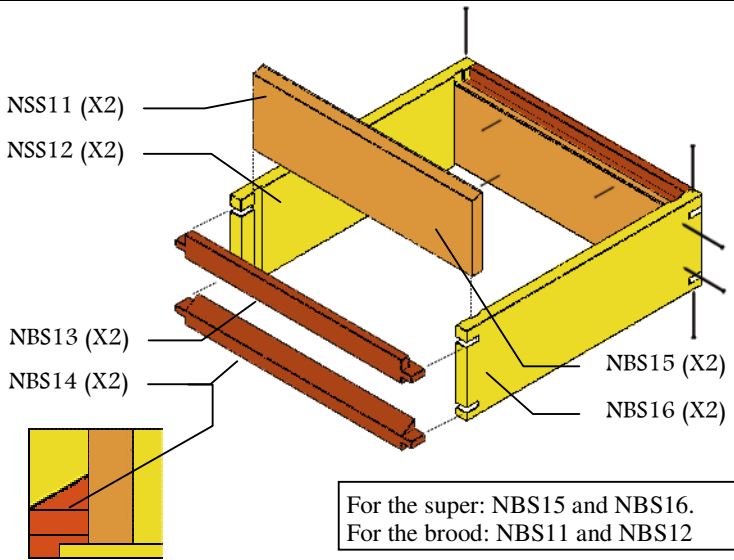
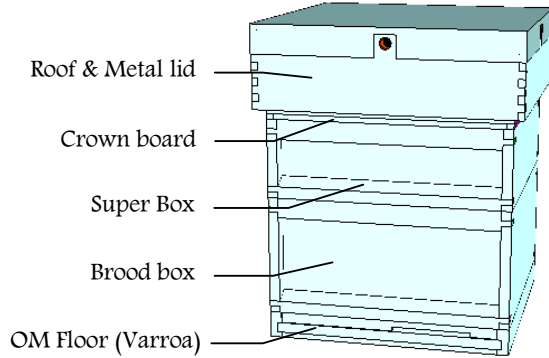


## National Hive Assembly Instructions

### National Hive Assembly

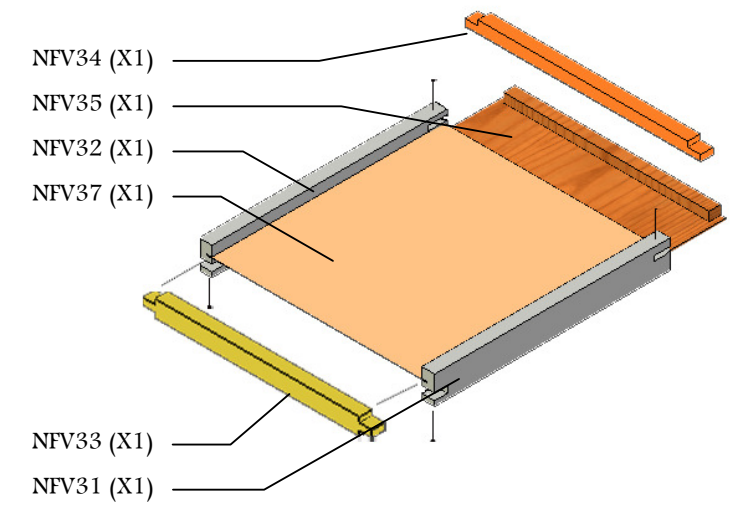
Thank you for purchasing this National hive. Please read the following brief notes to assist with the assembly of these hives. For the beginner, this may take 3 hours.

- Use a wood glue at **every** joint for an even stronger long lasting joint
- Where possible, insert nails / pins at an angle for extra strength
- The roof is pre-assembled, however mesh or gauze must be attached inside over the 4 vent holes before use.



#### **1. Brood and Super box**

1. Inserting Items 14(x2) into 12(x2). Secure with short pins on all four bottom corners. (Punch head in)  
Note 1: Chamfered edge should be on top facing out and down.
2. Insert Items 13(x2) into 12(x2). Secure with short pins on all four top corners.  
Note 2: Top face of Item 12 & 13 should be flush.  
Note 3: Check for square. Diagonal lengths should be same.
3. Slide in Items 11(x2) into the slots of Item 12(x2) until 11 is flush with the inside step of Item 14. (See sketch). Secure with eight long pins, two pins through each of the Items 13 & 14 into item 15



#### **3. Varroa Floor**

1. Start by inserting Item 33 into Items 31 and 32. Secure with 2 short pins
2. Insert Item 34 into Items 31 and 32. Secure with 2 short pins  
Note 1: Make sure the thin slots in item 31 and 32 are not blocked, this is to allow mesh to slide in.  
Note 2: Check for square. Diagonal lengths should be same.
3. Slide in the Varroa mesh Item 37. Secure with 4 Panel pins, 2 on the top at one end, 2 on the bottom at opposite end. Slide in tray assy Items 35

	Long Pins	Short Pins	Panel Pins
Brood/Super	8	16	0
Varroa Floor	0	4	4